

Operating Instructions · April 2008



million
in one

ELECTRONICS MODULE

SITRANS LVL200

SIEMENS

Content

1 About this document	
1.1 Function	3
1.2 Target group	3
1.3 Symbolism used	3
2 For your safety	
2.1 Authorised personnel	4
2.2 Appropriate use	4
2.3 Safety instructions for Ex areas	4
3 Product description	
3.1 Configuration	5
3.2 Principle of operation	5
3.3 Packaging, transport and storage	5
4 Mounting	
4.1 Mounting instructions	7
4.2 Mounting preparations	7
4.3 Mounting steps	7
5 Setup	
5.1 Setup	9
6 Maintain	
6.1 Instrument repair	10
7 Dismounting	
7.1 Dismounting steps	11
7.2 Disposal	11
8 Supplement	
8.1 Technical data	12

1 About this document

1.1 Function

This operating instructions manual has all the information you need for quick mounting and setup of a replacement module. Please read this manual before you start setup.

1.2 Target group

This operating instructions manual is directed to trained personnel. The contents of this manual should be made available to these personnel and put into practice by them.

1.3 Symbolism used



Information, tip, note

This symbol indicates helpful additional information.



Caution: If this warning is ignored, faults or malfunctions can result.

Warning: If this warning is ignored, injury to persons and/or serious damage to the instrument can result.

Danger: If this warning is ignored, serious injury to persons and/or destruction of the instrument can result.



Ex applications

This symbol indicates special instructions for Ex applications.



List

The dot set in front indicates a list with no implied sequence.



Action

This arrow indicates a single action.



Sequence

Numbers set in front indicate successive steps in a procedure.

2 For your safety

2.1 Authorised personnel

All operations described in this operating instructions manual must be carried out only by trained specialist personnel authorised by the plant operator.

During work on and with the device the required personal protection equipment must always be worn.

2.2 Appropriate use

Oscillator SW60 is a replacement oscillator for Sitrans LVL200 vibrating level switches.

2.3 Safety instructions for Ex areas

Please note the Ex-specific safety information for installation and operation in Ex areas. These safety instructions are part of the operating instructions manual and come with the Ex-approved instruments.

3 Product description

3.1 Configuration

Scope of delivery

The scope of delivery encompasses:

- Electronics module for SITRANS LVL200 (SW60)
- Documentation
 - this operating instructions manual

3.2 Principle of operation

Area of application

The oscillator SW60 is suitable for replacement in SITRANS LVL200 vibrating level switches.

3.3 Packaging, transport and storage

Packaging

Your instrument was protected by packaging during transport. Its capacity to handle normal loads during transport is assured by a test according to DIN EN 24180.

The packaging of standard instruments consists of environment-friendly, recyclable cardboard. For special versions, PE foam or PE foil is also used. Dispose of the packaging material via specialised recycling companies.

Transport

Transport must be carried out under consideration of the notes on the transport packaging. Nonobservance of these instructions can cause damage to the device.

Transport inspection

The delivery must be checked for completeness and possible transit damage immediately at receipt. Ascertained transit damage or concealed defects must be appropriately dealt with.

Storage

Up to the time of installation, the packages must be left closed and stored according to the orientation and storage markings on the outside.

Unless otherwise indicated, the packages must be stored only under the following conditions:

- Not in the open
- Dry and dust free
- Not exposed to corrosive media
- Protected against solar radiation
- Avoiding mechanical shock and vibration

Storage and transport temperature

- Storage and transport temperature see "*Supplement - Technical data - Ambient conditions*"
- Relative humidity 20 ... 85 %

4 Mounting

4.1 Mounting instructions

If the electronics module is defective, it can be replaced by the user.



In Ex applications only one instrument and one oscillator with respective Ex approval may be used.

4.2 Mounting preparations

In general, all oscillators of series SW60 can be interchanged. If you want to use an oscillator with a different signal output, you can download the corresponding operating instructions manual from our homepage under Downloads.

4.3 Mounting steps

Mounting steps

To exchange the electronics module, proceed as follows:

- 1 Switch off power supply
- 2 Unscrew the housing cover
- 3 Lift the opening levers of the terminals with a screwdriver
- 4 Pull the connection cables out of the terminals
- 5 Loosen the two screws with a screw driver (Torx size T10 or slot 4)

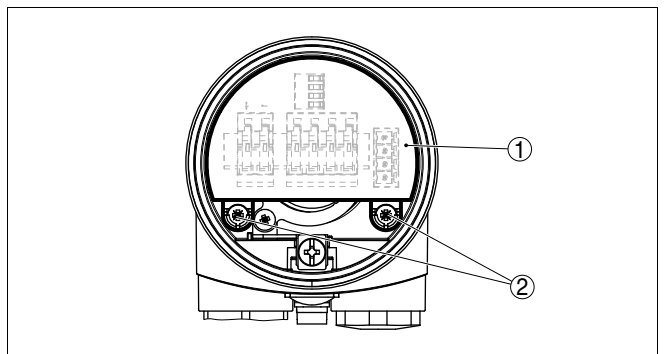


Fig. 1: Loosening the holding screws

- 1 Electronics module
- 2 Screws (2 pcs.)

- 6 Pull out the old electronics module

- 7 Compare the new oscillator with the old one. The type label of the oscillator must correspond to that of the old oscillator. This applies particularly to instruments used in hazardous areas.
- 8 Compare the settings of the two oscillators. Set the adjustment elements of the new oscillator to the same setting of the old one.

**Information:**

Make sure that the housing is not rotated during the electronics exchange. Otherwise the plug may be in a different position later.

- 9 Insert the oscillator carefully. Make sure that the plug is in the correct position.
 - 10 Insert the two hold screws and tighten them
 - 11 Insert the wire ends into the open terminals according to the wiring plan
 - 12 Press down the opening levers of the terminals, you will hear the terminal spring closing
 - 13 Check the hold of the wires in the terminals by lightly pulling on them
 - 14 Check cable gland on tightness. The seal ring must completely encircle the cable.
 - 15 Screw the housing cover on
- The electronics exchange is now finished.



As a rule, the exchange of the electronics must be documented internally when used in Ex applications.

5 Setup

5.1 Setup

Setup

When replacing the oscillator, make sure that all adjustment elements are set to the settings of the old oscillator. Hence the sensor is immediately ready for operation.

In general, all oscillators of series SW60 can be interchanged.

If you want to use an oscillator with a completely different signal output, you have to carry out the complete setup.

The necessary, suitable operating instructions manual can be downloaded from our homepage under Downloads.

The adjustment should be carried out according to the description in the operating instructions manual.

6 Maintain

6.1 Instrument repair

If it is necessary to repair the instrument, please contact Siemens Milltronics Process Instruments Inc. You find the locations on our homepage "www.siemens.com/processautomation".

7 Dismounting

7.1 Dismounting steps

Take note of chapters "*Mounting*" and "*Connecting to power supply*" and carry out the listed steps in reverse order.

7.2 Disposal

The replacement module consists of materials which can be recycled by specialised recycling companies. We have purposely designed the electronic modules to be easily separable.

WEEE directive 2002/96/EG

This instrument is not subject to the WEEE directive 2002/96/EG and the respective national laws (in Germany, e. g. ElektroG). Pass the instrument directly on to a specialised recycling company and do not use the municipal collecting points. These may be used only for privately used products according to the WEEE directive.

Correct disposal avoids negative effects to persons and environment and ensures recycling of useful raw materials.

Materials: see chapter "*Technical data*"

If you cannot dispose of the replacement component properly, please contact us about disposal methods or return.

8 Supplement

8.1 Technical data

Technical data

are stated in the operating instructions manual of the appropriate sensor.



www.siemens.com/processautomation

Siemens Milltronics Process Instruments Inc.
1954 Technology Drive, P.O. Box 4225
Peterborough, ON, Canada K9J 7B1
Tel: (705) 745-2431 Fax: (705) 741-0466
Email: techpubs.smpi@siemens.com

© Siemens Milltronics Process Instruments Inc. 2008
Subject to change without prior notice



7 M L 1 9 9 8 5 L S 0 1

Rev. 1.0

33997-EN-080421